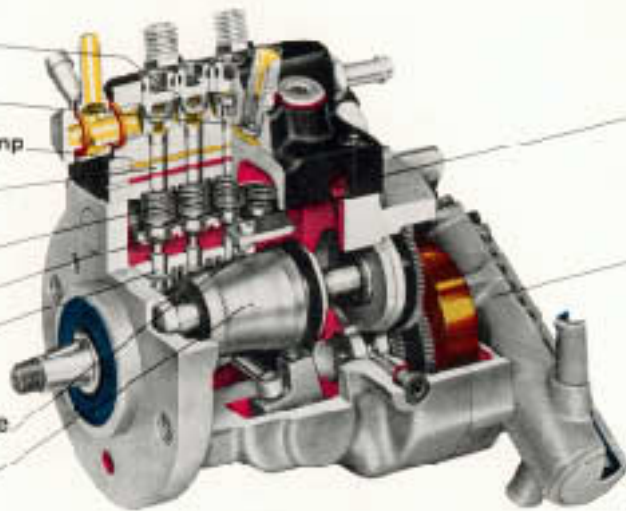
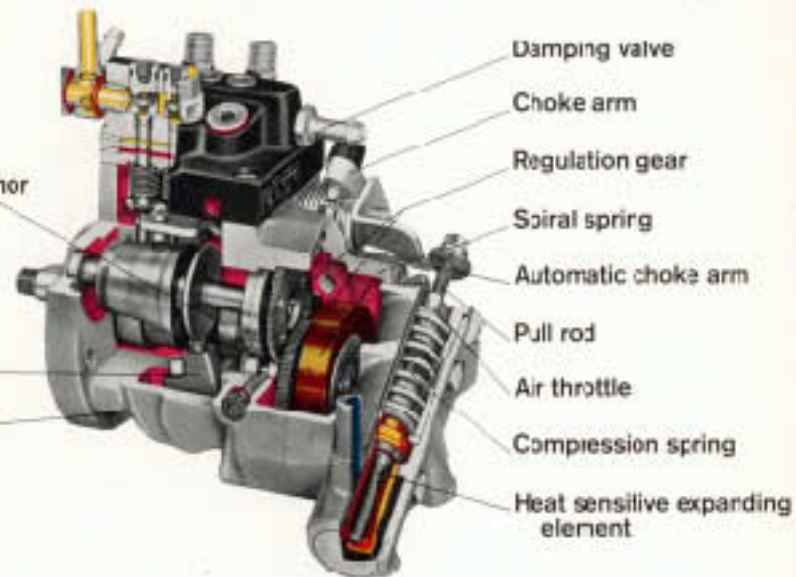


KUGELFISCHER PETROL INJECTION PUMP

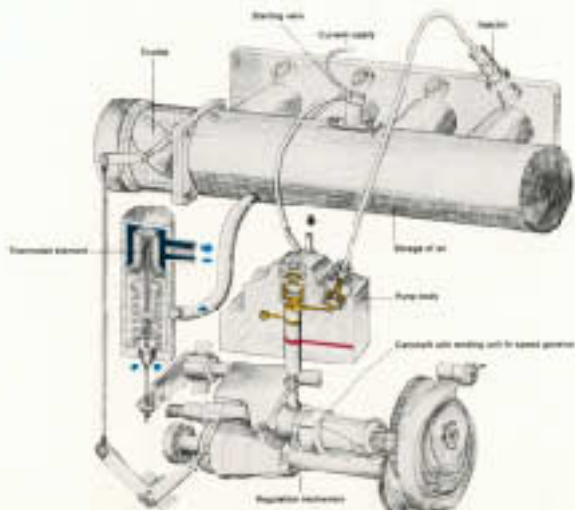
- Suction valve
- Delivery valve
- Hydraulic part of pump
- Plunger
- Plunger spring
- Ball socket
- Tappet
- Regulating lever plate
- Compensating cam



- Leak-off oil lock
- Camshaft with sending unit for speed governor
- Thermostat element
- Timing lever actuated by regulating arm
- Pump housing



- Damping valve
- Choke arm
- Regulation gear
- Spiral spring
- Automatic choke arm
- Pull rod
- Air throttle
- Compression spring
- Heat sensitive expanding element



Function of petrol injection system



FAG KUGELFISCHER
GEORG SCHÄFER & CO.
 EINSPRITZPUMPEN - WERK MÜNCHEN